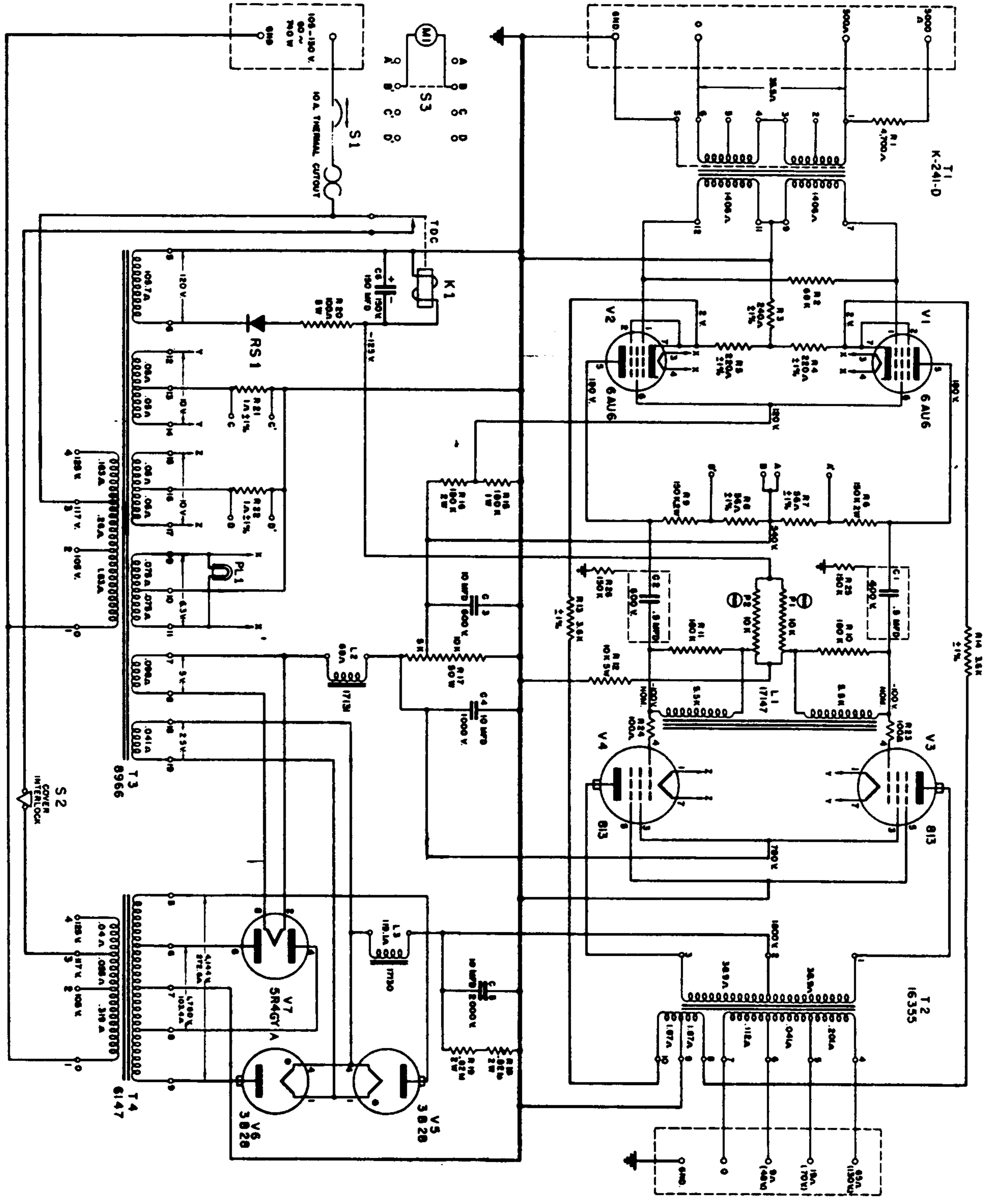


INPUT CONNECTIONS ARE STANDARD AS SHOWN AND SHOULD SATISFY MOST REQUIREMENTS. ADDITIONAL IMPEDANCES ARE AVAILABLE HOWEVER BY RECONNECTING T1 AS INDICATED BELOW.

T1 PRIMARY CONNECTIONS		
INPUT	CONNECT TO	STRAP
500/600	1-6	3-4
250/300	1-6	2-4 & 3-5
150	1-6	1-4 & 3-6
30/50	1-6	1-5 & 2-6

**LEGEND**  
 A - OHMS  
 K - 1,000A  
 M - 1,000,000A  
 ALL CAPACITANCE VALUES IN MFD.  
 UNLESS OTHERWISE INDICATED.



ALTEC LANSING 260A AMPLIFIER

NO.	DESCRIPTION	QTY.	REMARKS
1	6AU6	1	
2	6BQ5	1	
3	613	1	
4	302B	1	
5	5R4GY	1	
6	16355	1	
7	4700A	1	
8	10A THERMAL CUTOUT	1	
9	COVER INTERLOCK	1	
10	RESISTORS	17	
11	CAPACITORS	4	
12	TRANSFORMERS	2	
13	SWITCHES	2	
14	INDUCTORS	1	
15	DIODES	1	
16	RELAYS	1	
17	OTHER COMPONENTS	1	

ALTEC LANSING CORPORATION  
 SCHEMATIC  
 260A AMPLIFIER  
 5983